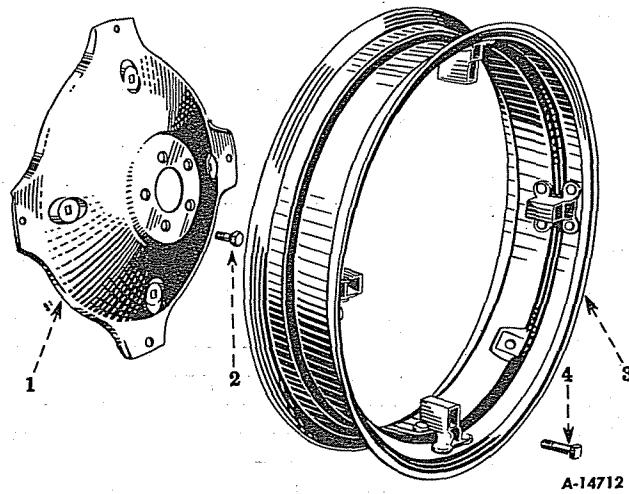




## CHASSIS



Reference numbers only are shown in illustration. Use I H part numbers in ordering.

### REAR WHEELS

1	351 083 R1	WHEEL, REAR (DISC TYPE)			2
2	351 079 R1	BOLT, REAR WHEEL			10
3	351 084 R91	RIM, REAR WHEEL, w/CLAMPS	W5-24	6-24 or 7-24	2
3	351 427 R91	RIM, REAR WHEEL, w/CLAMPS	W6-24	7-24	2
3	351 428 R91	RIM, REAR WHEEL, w/CLAMPS	W-7-24	8-24 or 9-24	2
3	353 723 R91	RIM, REAR WHEEL, w/CLAMPS	W8-24	9-24	2
3	355 067 R91	RIM, REAR WHEEL, w/CLAMPS (TRACTORS EQUIPPED WITH HIGH CLEARANCE ATTACHMENT)	W5-30	6-30 or 7-30	2
	181 696	SCREW, CAP, HEX-HD., 1/2-20NF			8
	120 371	NUT, HEX., 1/2-20NF			8
4	351 085 R1	BOLT, REAR WHEEL RIM			8
	120 371	NUT, HEX., CO-PLTD., 1/2-20NF			8
	356 116 R91	WHEEL, REAR, ASSEMBLY (COMPOSED OF -	W5-24	6-24 or 7-24	2
		4 BOLT 351 085 R1			
		5 BOLT 351 079 R1			
		4 NUT 120 371			
		1 RIM 351 084 R91			
		1 WHEEL 351 083 R1)			
	356 118 R91	WHEEL, REAR, ASSEMBLY (COMPOSED OF -	W7-24	8-24 or 9-24	2
		4 BOLT 351 085 R1			
		5 BOLT 351 079 R1			
		4 NUT 120 371			
		1 RIM 351 428 R91			
		1 WHEEL 351 083 R1)			