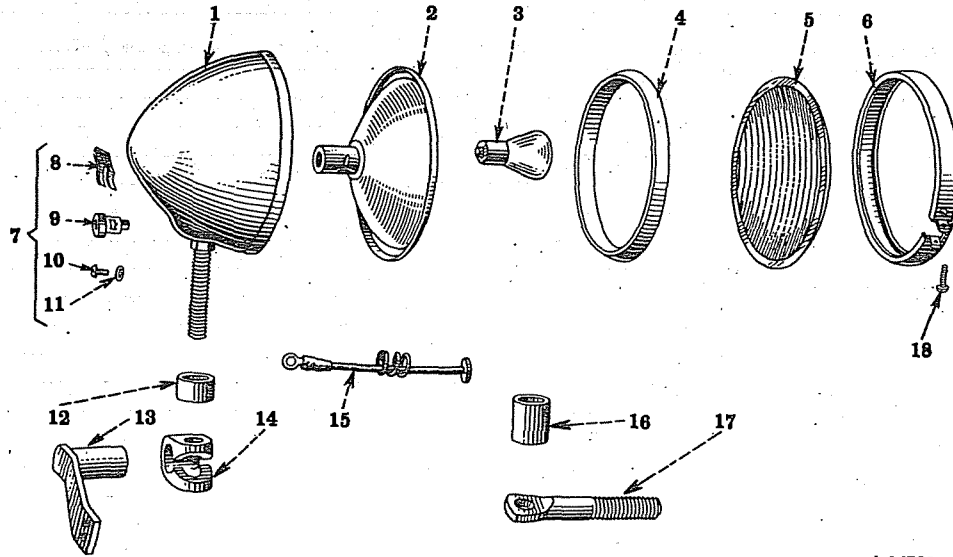


ELECTRICAL SYSTEM



A-14721

Reference numbers only are shown in illustration. Use I H part numbers in ordering.

HEADLIGHTS, REAR LIGHT AND BRACKETS (Guide Lamp Corporation) (Special)

	45 640 DB	873-24	HEADLIGHT OR REAR LIGHT, ASSEMBLY (6-VOLT DELCO-REMY)	X
	114 774		NUT, HEX., 1/2-13NC	1
	103 323		WASHER, LOCK, 1/2"	1
1	53 522 DA	5939959	BODY	1
2	53 523 D	923119	REFLECTOR	1
3	142 309	1133L	LAMP (SC-6, 8-VOLT, 32 CANDLEPOWER)	1
4	53 527 D	924639	GASKET	1
5	350 478 RI	5936059	LENS	1
6	53 525 DA	5939960	MOULDING	1
7.	68 417 D.	5935509	PLATE, TERMINAL, ASSEMBLY (COMPOSED OF -	1
			1 PLATE 79 407 H	
			2 SCREW 121 749	
			1 SPRING 79 408 H	
			2 WASHER 138 530)	
8	79 408 H	922785	SPRING, TERMINAL PLATE	1

X - AS REQUIRED