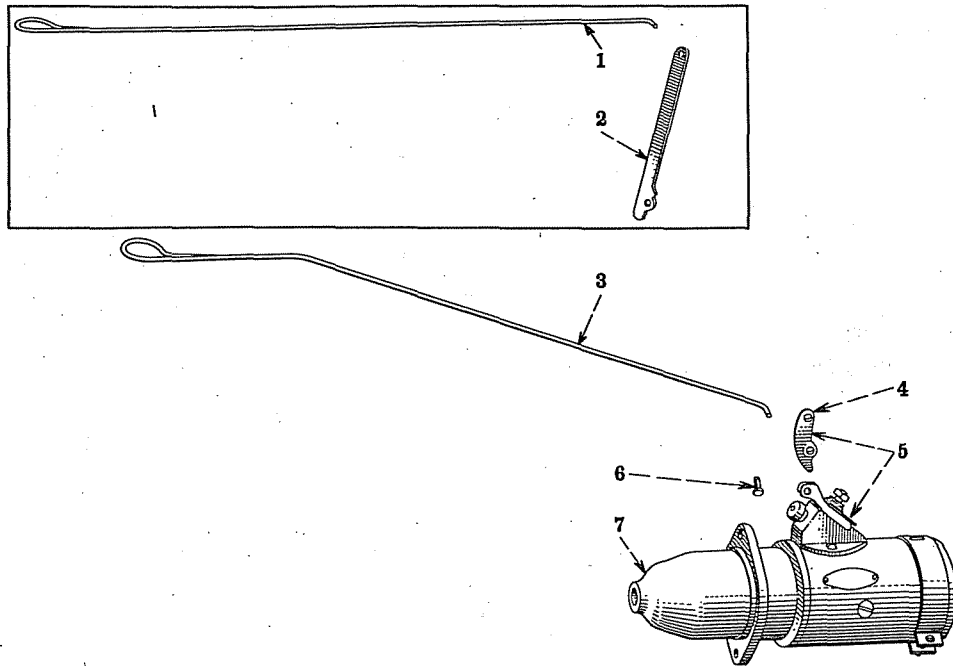


ELECTRICAL SYSTEM



A-26720

Reference numbers only are shown in illustration. Use I H part numbers in ordering.

CRANKING MOTOR, LEVER AND PULL ROD (Special)

1	351 348 R1 103 361		ROD, PULL, STARTING SWITCH PIN, COTTER, 1/16 x 1/2"	501 TO	1 1
2	351 347 R2		LEVER, STARTING SWITCH	501 TO	1
3	356 196 R1 137 130		ROD, PULL, STARTING SWITCH PIN, COTTER, 1/16 x 7/16"	UP	1 1
4		1919434	LEVER, STARTING SWITCH	UP	1
5		1919576	SWITCH, CRANKING MOTOR, w/LEVER, 1919434, ASSEMBLY		1
	142 210	142210	SCREW, SLOTTED-RD-HD., BLUED, No. 10-32NF x 5/16"		2
	106 497	106497	WASHER, LOCK, No. 10		2
6		1880254	PIN, SWITCH LEVER		1
	137 133	137133	PIN, COTTER, CO-PLTD., 1/16 x 7/16"		1
7	356 195 R91	1109611	MOTOR, CRANKING, w/SWITCH, 1919576, ASSEMBLY (DELCO-REMY 1109611) (WILL WORK FOR 351 346 R91) (FOR SERVICE PARTS SEE "CRANKING MOTOR")		1
	179 839		SCREW, CAP, HEX-HD., 3/8-16NC x 1"		2
	103 321		WASHER, LOCK, 3/8"		2