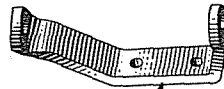
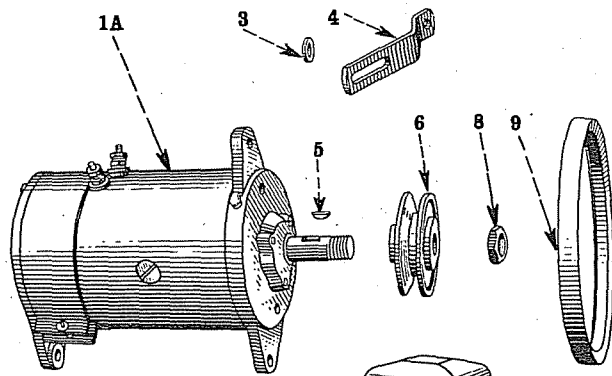
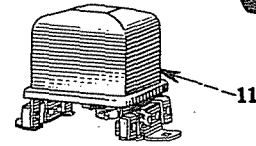


501 to 115402



10



A-14722A



Reference numbers only are shown in illustration.
Use I H part numbers in ordering.

GENERATOR (Delco-Remy) AND CONNECTIONS

1	45 634 D	1101355	GENERATOR, w/RELAY, 1116766, ASSEMBLY (WITHOUT PULLEY) (FOR SERVICE PARTS SEE "GENERATOR") (ORDER 356 936 R91)	501 to 115402	1
	103 025		NUT, HEX., 5/16-24NF		1
	102 647		NUT, CASTELLATED, HEX., 1/2-20NF		1
	103 374		PIN, COTTER, 3/32 x 1"		1
	181 340		SCREW, CAP, HEX-HD., 5/16-24NF x 1-1/8"		2
	Q 1 520		WASHER, PLAIN, 1/2"		1
	103 320		WASHER, LOCK, 5/16"		2
1	356 936 R91		GENERATOR, ASSEMBLY (WILL WORK FOR 45 634 D) (COMPOSED OF -	501 to 115402	1
			1 CABLE 356 938 R91		
			1 CABLE 356 939 R91		
			1 GENERATOR 356 937 R91		
			1 RELAY 46 412 D		
			2 SCREW 132 900		
			2 WASHER 120 391		
			2 WASHER 138 479)		
1	356 937 R91	1101423	GENERATOR, w/o PULLEY	501 to 115402	1
1A	354 237 R91	1100501	GENERATOR, w/o PULLEY, ASSEMBLY (FOR SERVICE PARTS SEE "GENERATOR"	115403 UP	1
	103 025		NUT, HEX., 5/16-24NF		2
	181 340		SCREW, CAP, HEX-HD., 5/16-24NF x 1-1/8"		2
	103 320		WASHER, LOCK, 5/16"		2
		804000	WASHER, LOCK, 23/32"		1
2		1116766	RELAY, GENERATOR	501 to 115402	1
	132 900	132900	SCREW, SLOTTED-RD-HD., CD-PLTD., No. 10-32NF x 3/8"		2
	138 479	138479	WASHER, LOCK, EXTERNAL TOOTH, CD-PLTD., No. 10		2
	120 391	120391	WASHER, CD-PLTD., 7/32" I.D. x 1/2" O.D. x No. 18 ea.		2