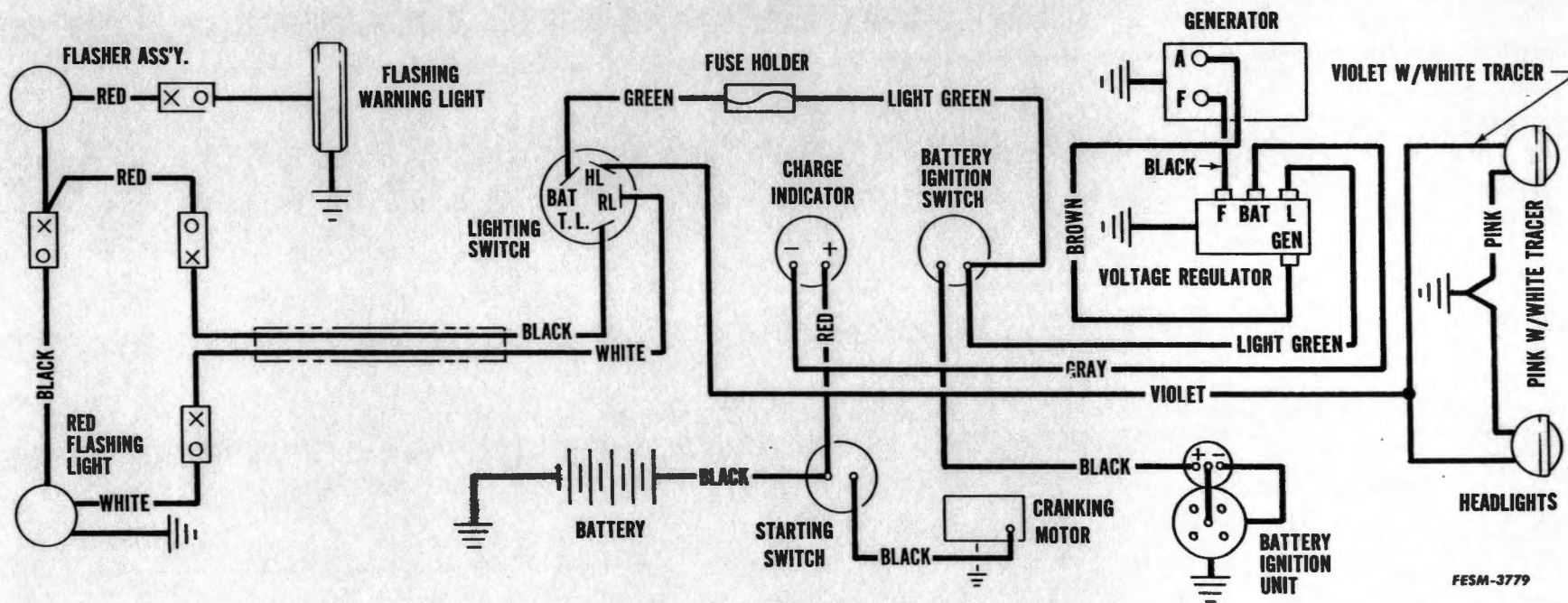


WIRING DIAGRAM

9-6



FESM-3779