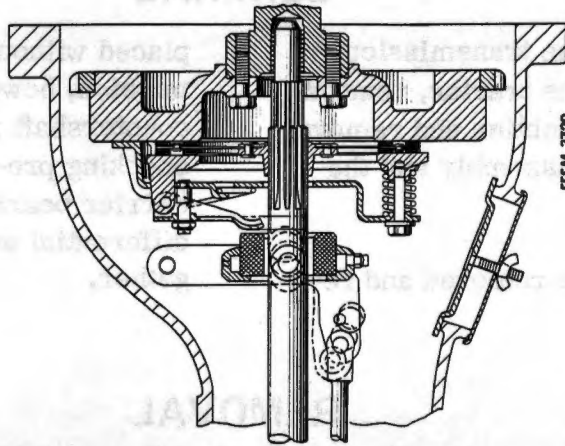
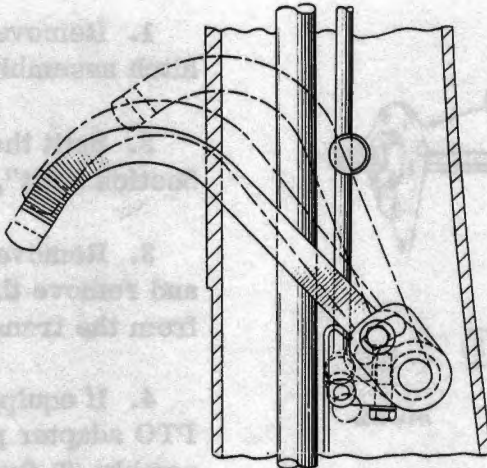


Remove the differential from the transmission case. If the assembly will not clear the side of the case, it will be necessary to remove the R.R. bearing from the transmission case. If the assembly will not clear the side of the case, it will be necessary to remove the R.R. bearing from the transmission case.

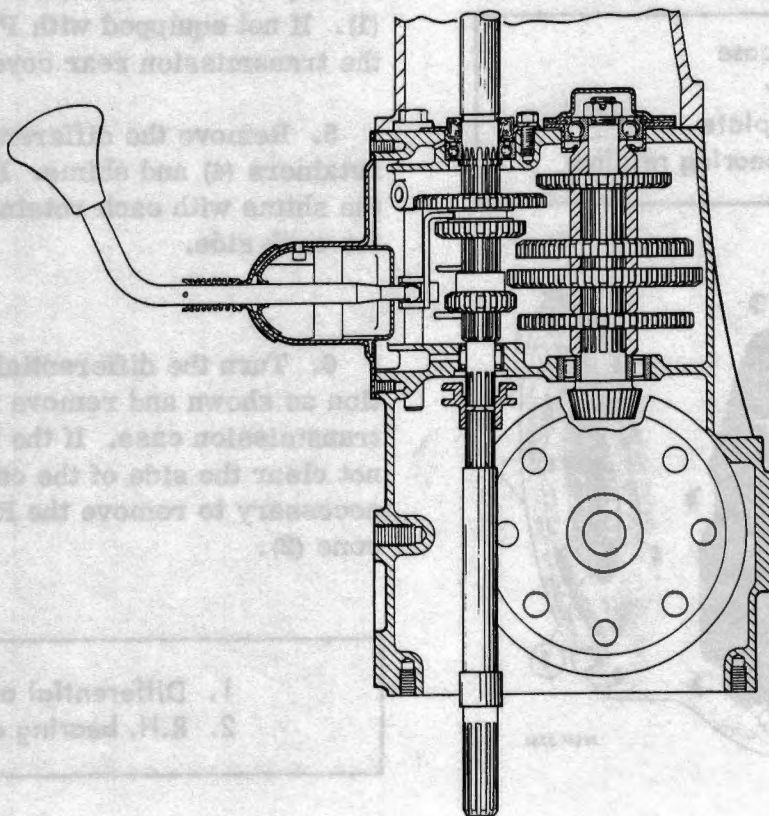


FESMA-3729

Remove the differential from the transmission case. If the assembly will not clear the side of the case, it will be necessary to remove the R.R. bearing from the transmission case. If the assembly will not clear the side of the case, it will be necessary to remove the R.R. bearing from the transmission case.



Remove the differential from the transmission case. If the assembly will not clear the side of the case, it will be necessary to remove the R.R. bearing from the transmission case. If the assembly will not clear the side of the case, it will be necessary to remove the R.R. bearing from the transmission case.



- 1. Transmission case
- 2. PTO assembly
- 3. PTO adapter plate
- 4. Differential bearing

- 1. Differential assembly
- 2. R.R. bearing case