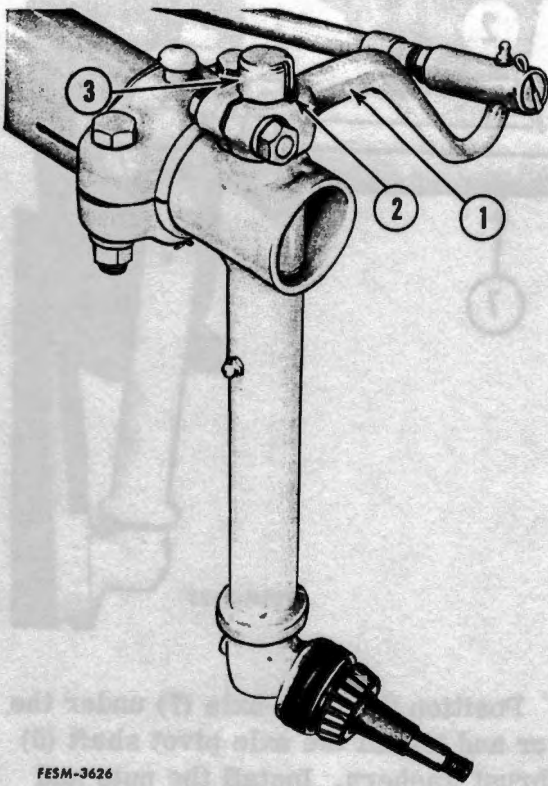


REASSEMBLY AND INSTALLATION OF FRONT AXLE ASSEMBLY



FESM-3626

1. Install new axle pivot pin bushings in the front axle if they were removed.

2. Install new steering knuckle bushings in the axle if they were removed.

3. Install the steering knuckles in the axle.

4. Install the key (2) in the knuckle (3) and then install the steering knuckle arm (1). Install the retaining nut and bolt and tighten securely.

- | |
|-------------------------|
| 1. Steering knuckle arm |
| 2. Key |
| 3. Steering knuckle |