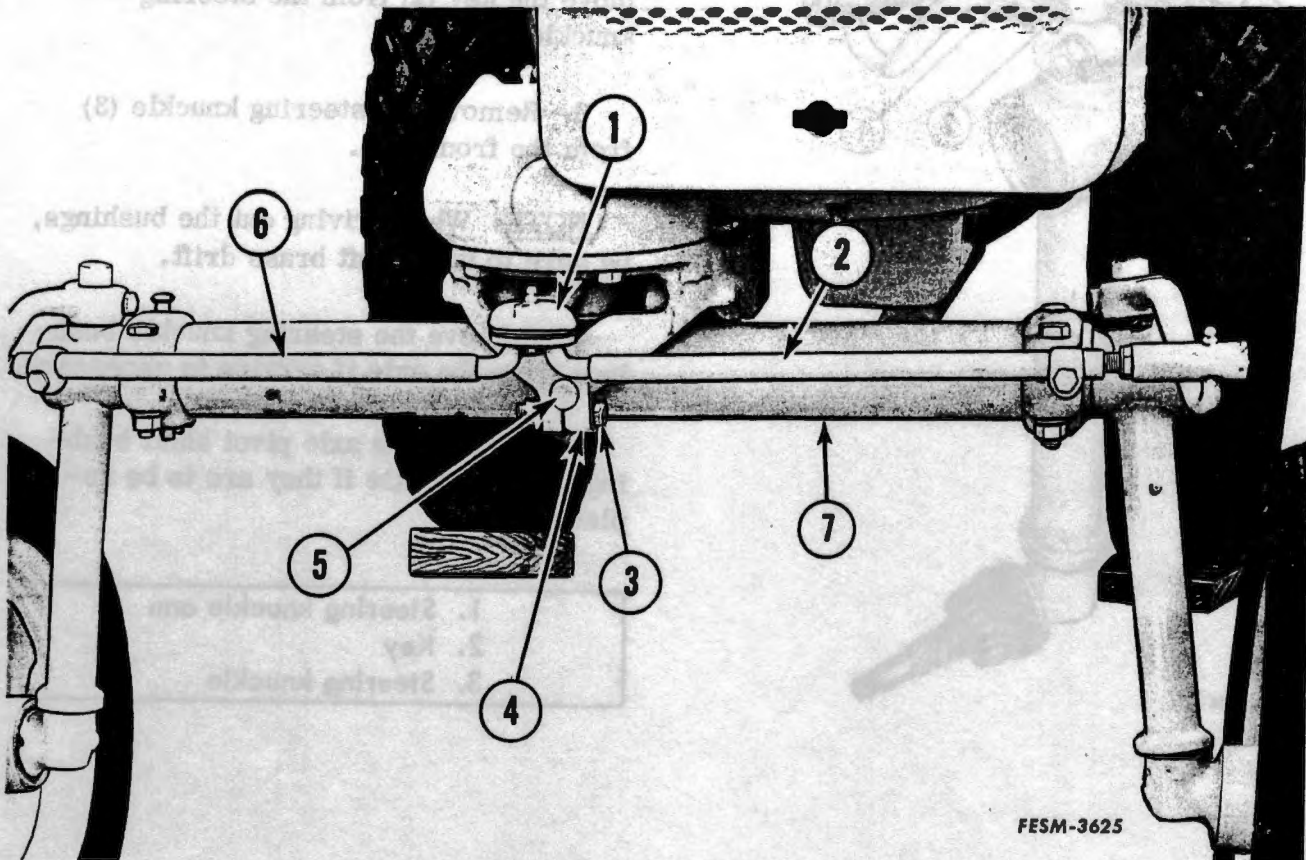


## REMOVAL AND DISASSEMBLY OF FRONT AXLE ASSEMBLY



1. Steering gear arm
2. Tie rod
3. Bolt (2)
4. Steering gear housing base
5. Axle pivot shaft
6. Tie rod
7. Front axle

1. Disconnect the tie rods (2 and 6) from the steering gear arm (1).

2. Remove the nuts and bolts (3), one in front and one in back, securing the steering gear housing base (4) to the front axle pivot shaft (5).

3. Raise the front of the tractor and support it with the support stands, FES 142-1. Remove the axle pivot shaft from the axle.

4. Remove the front axle assembly from the tractor.